



Brandon Retriever Club

## OFFICIAL PREMIUM LIST

**Two Licensed Field Trials for  
Retrievers, Irish Water Spaniels and Standard Poodles**

**Date: August 24 & 25, 2019**

**Location: Brandon, Manitoba**

These events held under rules of the Canadian Kennel Club, 200 Ronson Drive, Suite 400, Etobicoke, ON, M9W 5Z9

**Tailgate Party, \$10.00 / Person, Saturday, following last series.**

**ENTRIES CLOSE AT 7:30 PM, THURSDAY, AUGUST 15, 2019**

FIELD TRIAL COMMITTEE	
Chairman.....	.....Ross Peden
Secretary.....	.....Dawne McKenzie
Chief Marshall.....	.....John McBride
Game Steward.....	.....Chuck Lapenseer
Grounds Captain.....	.....Neal Armstrong
Gun Captain.....	.....Dawne McKenzie

JUDGES / STAKES / ENTRY FEES			
<b>Open All Age</b>	<b>Saturday, August 24, 2019</b>	<b>07:30 AM</b>	<b>\$70.00</b>
John McBride.....	..... Melita MB		
John McDonald.....	..... Saskatoon SK		
<b>Open All Age</b>	<b>Sunday, August 25, 2019</b>	<b>07:30 AM</b>	<b>\$70.00</b>
Neal Armstrong.....	..... Boissevain MB		
Chuck Lapenseer.....	..... Brandon MB		

CANADIAN KENNEL CLUB	
Executive Director:.....	..... Lance Novak
Provincial Director:.....	..... Corrine Walker
Field Trial Representative.....	..... Fred Benjaminson

BRANDON RETRIEVER CLUB	
President.....	..... Neal Armstrong
Vice President.....	..... Keith Merlin
Secretary -Treasurer.....	..... Dawne McKenzie

## **ENTRIES**

1. Make cheques, dated no latter than August 15, 2019, payable to the Brandon Retriever Club. **Please mail early.**
2. Mail cheques and completed entries to:           Dawne McKenzie, Field Trial Secretary  
Box 72, Hartney MB R0M 0X0  
Phone / Fax: 204-858-2071, E-mail: [ha2071@mymts.net](mailto:ha2071@mymts.net)
3. Draw at 7:30 PM on Thursday, August 15, 2019 at Archies Place.
4. All dogs will run in the order drawn. In All Age Stakes rotation will be used. The starting dog in the first series of the All-Age stakes will be determined by using the last two digits (including digits, if any to the right of the decimal point) of the closing S&P/TSX composite index (the TSX number) on Thursday, August 22, 2019.
5. A separate OFFICIAL CKC ENTRY FORM for EACH DOG in EACH STAKE is required.
6. All entries must be accompanied by the Entry fees and, if applicable, the Listing fees. A Listing fee of \$10.50, which includes GST, per dog per event is payable unless the dog's entry carries a CKC individual registration number or ERN number.
7. **No phone entries.**

**Non Member Participation Fee** “ applies to dogs wholly owned by a resident of Canada who is not a member of the CKC; it is not applicable to CKC members or dogs co-owned with a CKC member. In order for the title to be awarded, the non-member will have a choice to either become a CKC member or pay the Non-Member Participation Fee. Failure to comply within 30 days of notification will result in the title being withheld.”

**SCRATCHES** will forfeit \$15.00. To be considered, “NO SHOW” refunds must be requested in writing to the Field Trial Secretary no later than seven days after the trial, explaining the reason for the scratch.

**DUCKS and/or PHEASANTS** may be used in all stakes.

**STANDARD CKC ROSETTES** will be awarded for all placings and CMs in each stake.

**CAMPING and TRAILER PARKING** available. No electrical hook ups; no water.

### **IMPORTANT NOTICE TO EXHIBITORS AND JUDGES**

#### **3.8 Indignities to a Judge**

3.8.1 A judge officiating at a field trial held under these rules shall not be subjected to any indignities of any kind during the progress of the field trial. It shall be the duty and obligation of the club holding the field trial to see that this rule is effectively carried out.

#### **3.9 Judge's Conduct**

3.9.1 A judge must conduct himself in a manner that is fair and not prejudicial to the sport.

**21.7** It shall be the duty and obligation of the event-giving club to see that a judge, club official, volunteer, or any participant at an event held under these rules, is not subject to indignities. The Retriever Field Trial Committee Chair shall promptly report to the CKC any infringement of this regulation, and the CKC shall have the authority to take such action as it deems fit on receipt of a report indicating that this has occurred. A copy of this regulation shall be prominently placed in every premium list and catalogue.

### **Caution**

The Brandon Retriever Club will not be responsible for any loss or damage to any dog or to any equipment, whether the result of an accident or otherwise. Furthermore the Brandon Retriever Club will assume no liability in the event of an accident or other misfortune to event participants, bystanders, club members, workers or other individuals using the property for any purpose.

## Release and indemnification of Landowners and the Brandon Retriever Club

By entering this event, each participant agrees to assume all risks and hazards incidental to participation in the event and agrees to release, save harmless and indemnify the owner(s) of the property upon which the event is held, together with their officers, agents, employees and representatives from all claims, actions, costs, expenses and demands in respect to death, injury, loss or damage to the person, dog, or property of the participant howsoever caused, arising out of or in connection with the participant's use or entry upon the property. It is understood that this agreement is binding upon the participant and all of his heirs, executors and assigns.

Visit [www.travelmanitoba.com](http://www.travelmanitoba.com)

to order tourist Information kits that include a highway map and publications on Hunting, Fishing, Accommodations, Campgrounds, Etc.

<http://brandontourism.com/>

for information about Brandon, including Hotels / Motels & Campgrounds

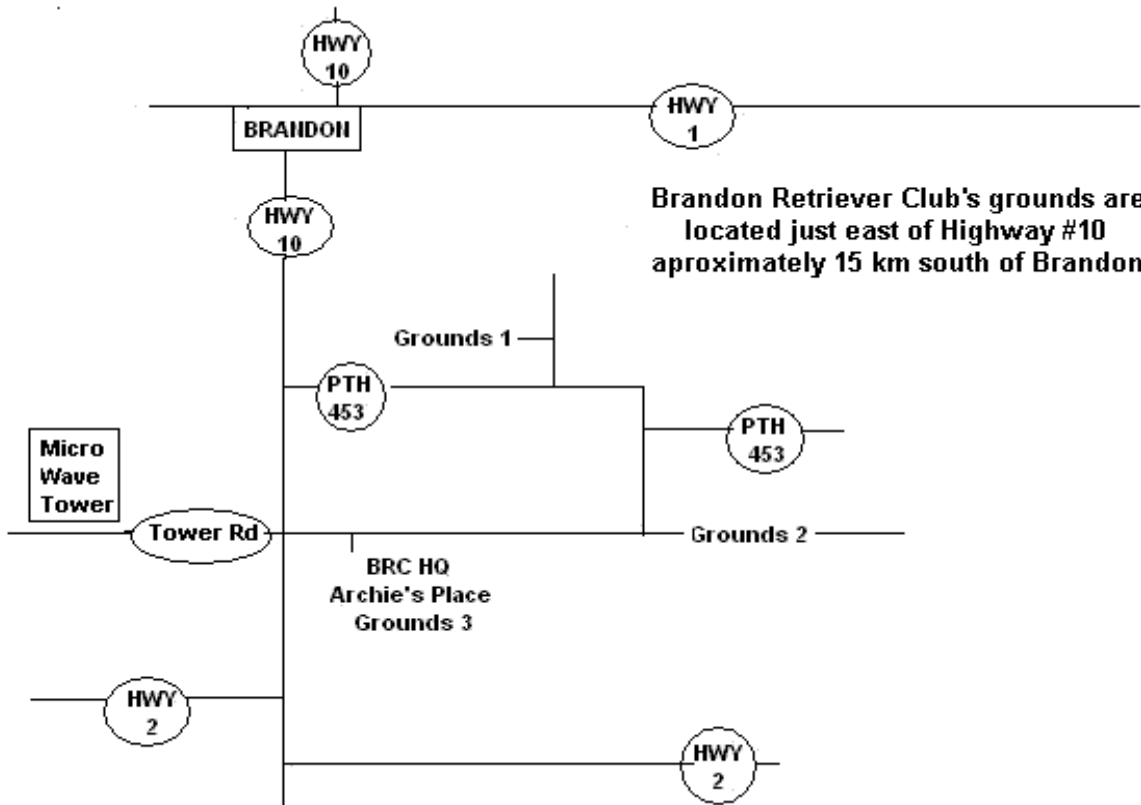
[www.nrcc-canada.com](http://www.nrcc-canada.com)

for info about Manitoba Gun Dog Association's Aug 31st & Sept 1st Field Trials and other Canadian Field Trials and Hunt Tests.

MEDICAL SRVICES			
<b>PEOPLE</b>	<b>Brandon Reginal Health Centre</b>	150 McTavish Avenue E, Brandon MB	204-578-4000
<b>ANIMALS</b>	<b>Brandon Animal Clinic</b>	2015 A Brandon Avenue M - F 8:00 - 17:30, Sat 9:00 - 12:00, Sun Closed <b>Emergency call 204-728-9140</b>	204-728-9140
	<b>Brandon Hills Veterinary Clinic</b>	733 17th Street M - F 8:00 - 17:30, Sat 9:00 - 12:00, Sun Closed <b>Emergency call 204-728-2292</b>	204-728-2292
	<b>Grand Valley Animal Clinic</b>	304 Pacific Avenue M - F 8:00 - 20:00, Sat 9:00 - 17:00, Sun Closed <b>Emergency call 204-728-0033</b>	204-728-0033
	<b>Wheat City Veterinary Clinic</b>	1528 1st Street North M - F 8:00 - 5:30, Sat 9:00 - 17:00, Sun Closed	204-726-9262



NOT TO SCALE



Brandon Retriever Club's grounds are located just east of Highway #10 approximately 15 km south of Brandon

